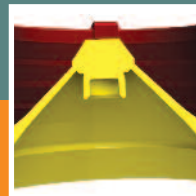
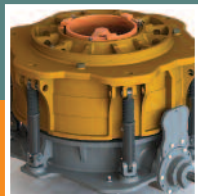
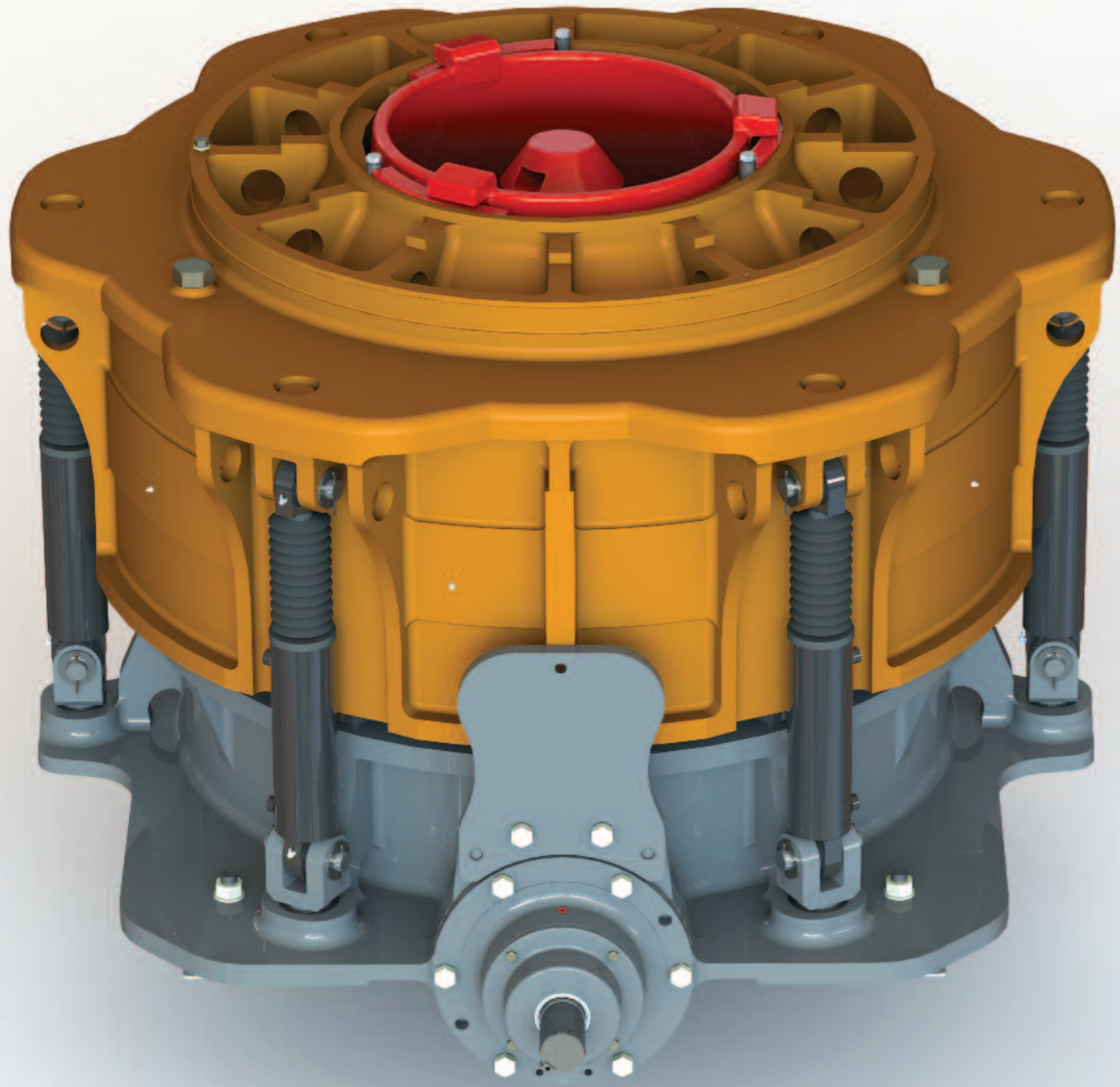




# CMB RS185 Rockstar Cone Crusher

Designed, Developed and Manufactured by CMB International





## INTRODUCTION

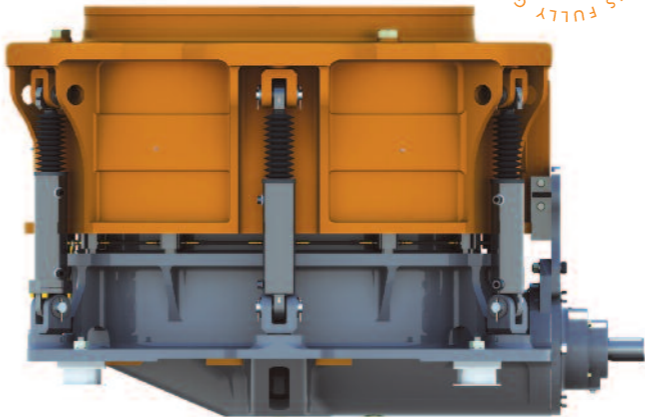
CMB, experts in the design and manufacture of efficient and effective cone crushers, have successfully developed the new RS185, all roller bearing Cone Crusher.

Expanding on the success of the proven RS150, the RS185 incorporates all the usual CMB cone crushing advantages and more, for ease of operation, best product and maximum productivity.

All CMB cone crushers operate providing the following minimum standards for ease and effective production

- High outputs of good product shape
- Unattended operation
- Fast and simple adjustment
- Minimal maintenance
- Large unobstructed feed opening
- Takes unscreened feed
- Can be adjusted during crushing
- Compact Lubrication system

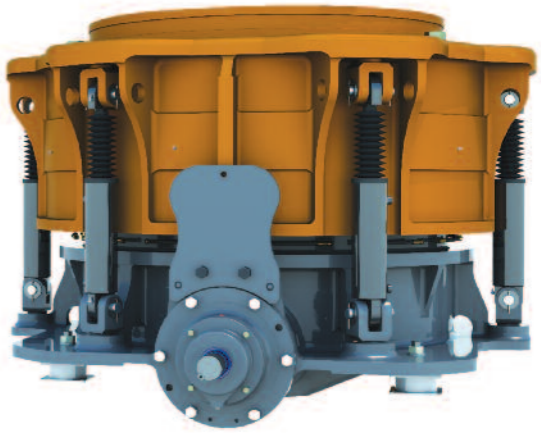
ALL OF OUR WORK IS FULLY GUARANTEED



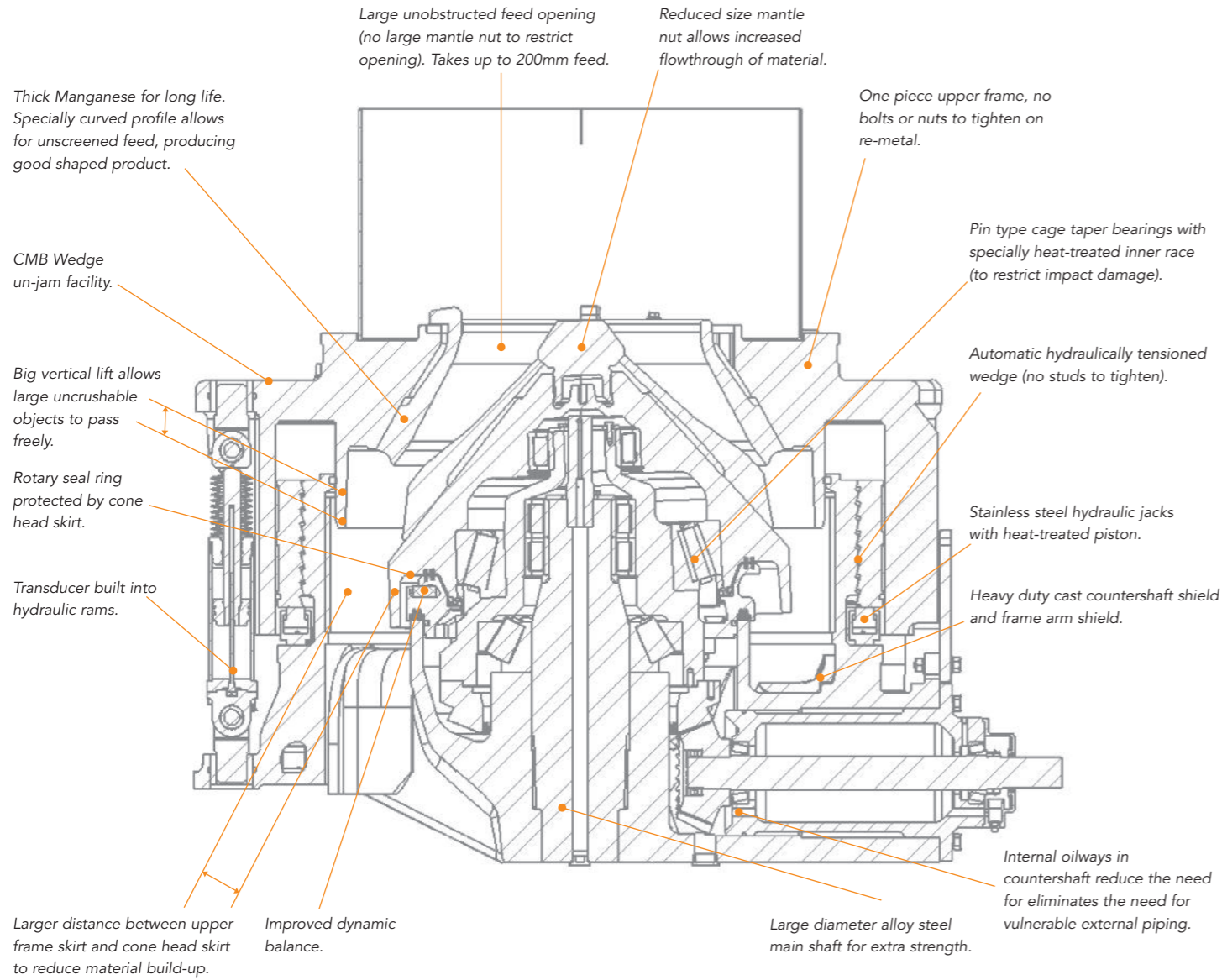
The RS185 takes cone crushing to the next level with enhanced performance and the following additional features:-

- One piece upper frame - Minimising maintenance, as no support bowl bolts to tighten. Provides the wedge ring with greater protection from ingress of unwanted objects,
- Hydraulic tensioned wedge - Automatically and permanently tensioned to the optimum setting, providing the correct crushing pressure constantly for enhanced performance and productivity.
- Longer stroke rams allow for larger settings and thicker manganese, providing extra crushing hours, more production and minimising unwanted downtime.
- Increased internal clearance for ease of material discharge, minimising material build up and the potential for damage.

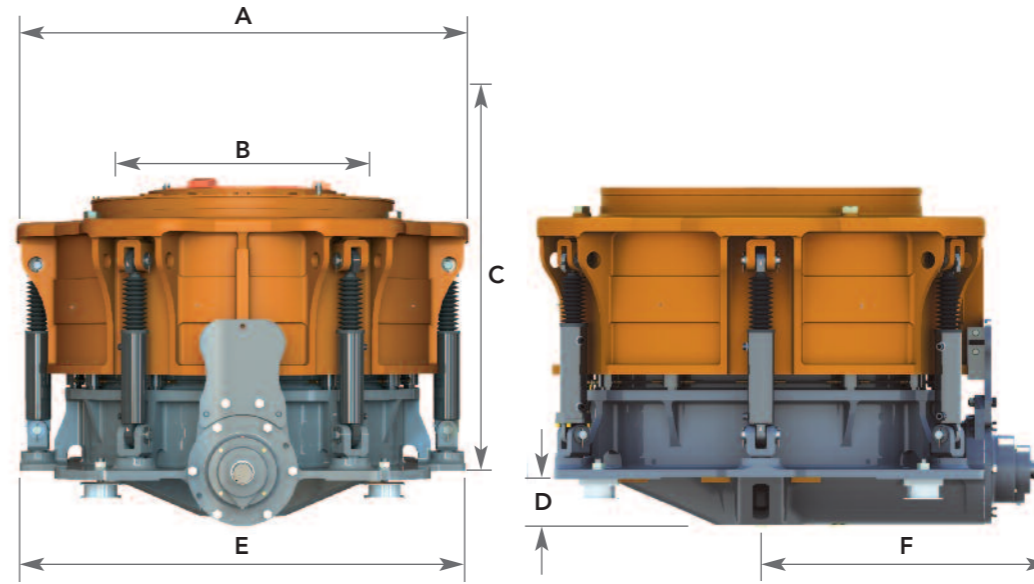
CMB develops and manufactures cones, based on decades of experience and expertise, to provide reliable, user friendly cones that produce good quality shaped material and minimise maintenance and future costs.



## RS185 ROCKSTAR CONE CRUSHER - FEATURES

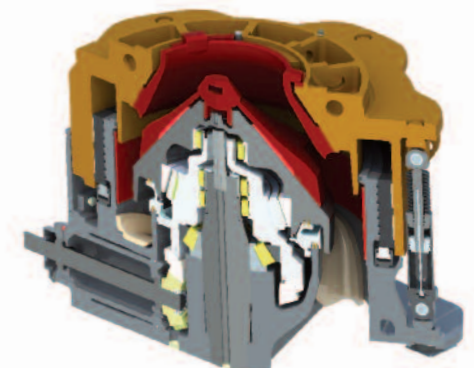
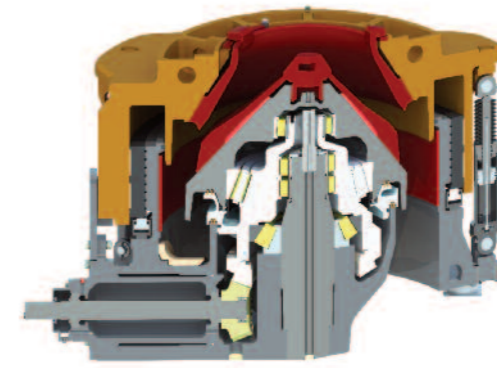
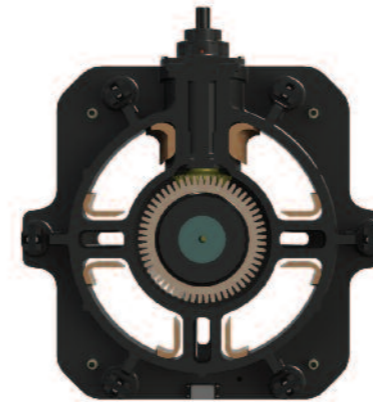


## RS185 ROCKSTAR CONE CRUSHER - TECHNICAL SPECIFICATION



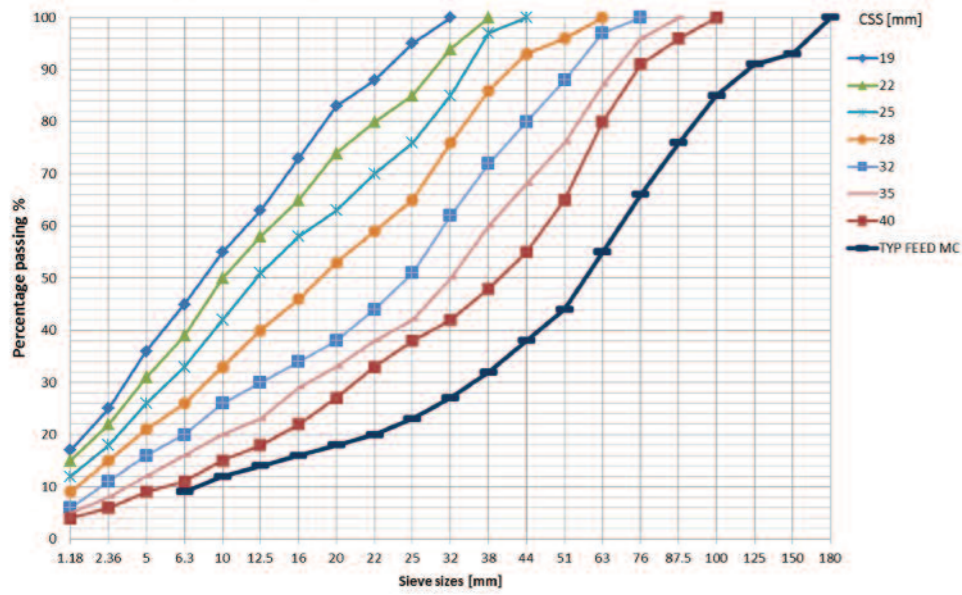
Dimensions (mm)	RS185
A	2,000
B	1,150
C (to top of Hopper)	Min: 1,652 Max: 1,880
D	191
E	1,592
F	1,253

Specifications	RS185
Kw	150 - 185
Flywheel RPM	937
Weight	12,200kg
Cubic contents Export boxed	21m <sup>3</sup>



# RS185 ROCKSTAR CONE CRUSHER - PERFORMANCE

RS185 Product Curve MC, C, XC Chamber Options\*



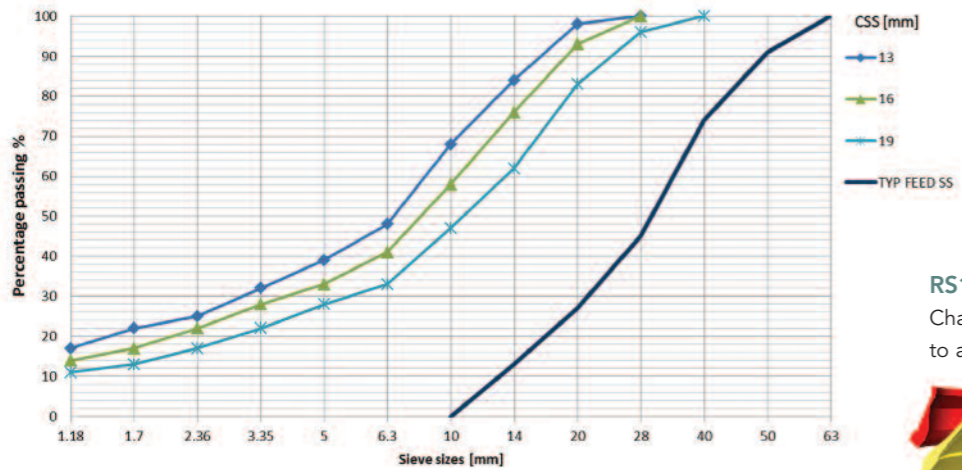
CSS mm	Crusher output (TPH) MC, C, XC
18	135-150
22	145-190
25	150-200
28	160-210
32	165-225
35	170-230
40	175-240

CSS mm	Crusher output (TPH) SS
13	135-150
16	145-190
19	150-200

Chamber Options	Max Feed Size
MC	180
C	190
XC	200
SS	63

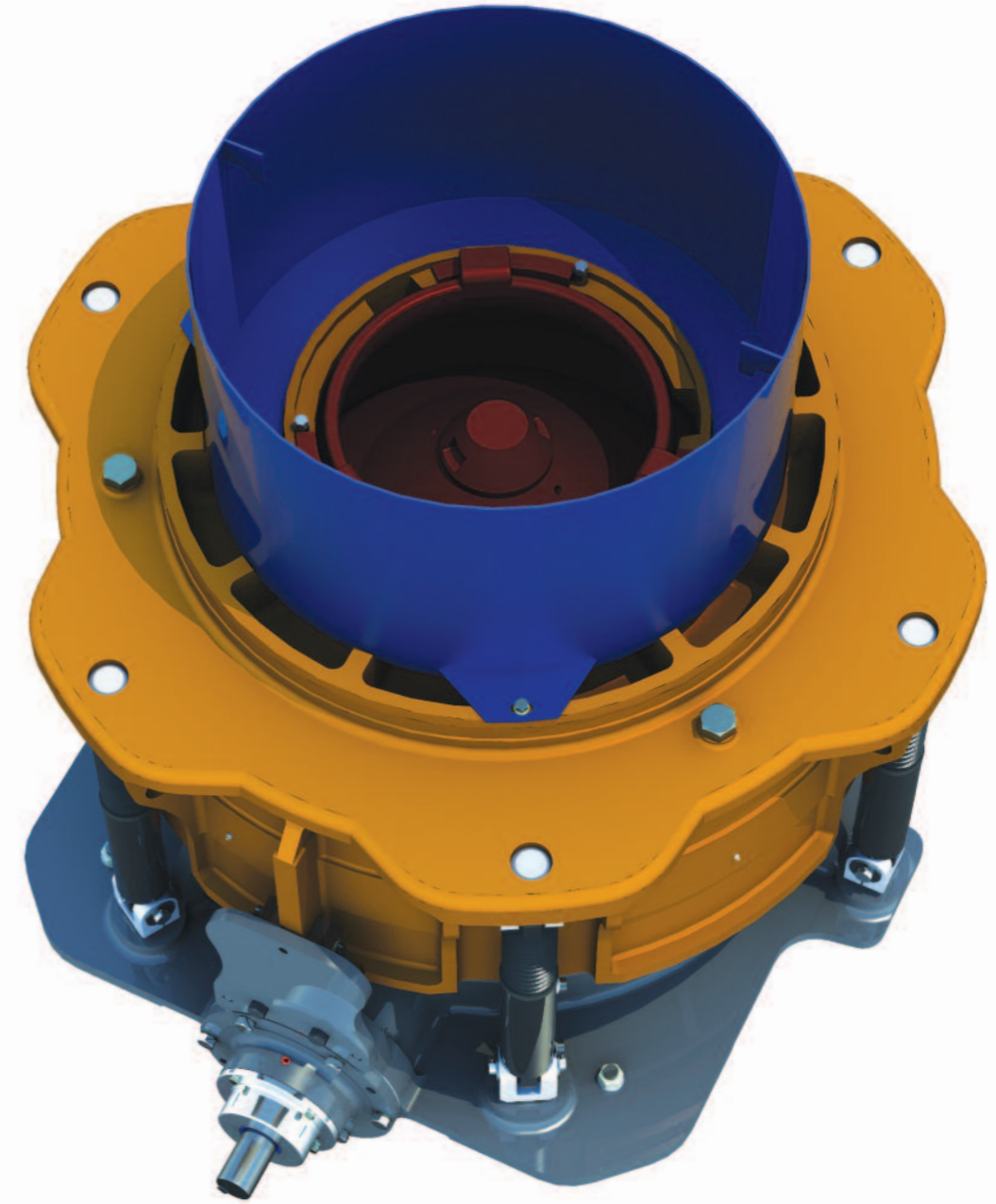
Min CSS	
MC	18
C	18
XC	20
SS	13

RS185 Product Curve - Sand Star Chamber Option\*



## RS185 Chamber Options

Chamber options are available enabling the crusher to accept a wide variety of feed sizes.



\* Capacity based on crushing clean dry stone with a bulk density of 1.6 tonnes per cubic metre





**CMB International Limited**

Little Alton Farm The Altons Ravenstone Leicestershire LE67 2AA U.K.  
Tel: ++44 (0) 1530 563600 Fax: ++44 (0) 1530 563900 Email: [sales@cmb.uk.com](mailto:sales@cmb.uk.com)  
Web: [www.cmb.uk.com](http://www.cmb.uk.com)

Company Registered in England and Wales No. 3753430

